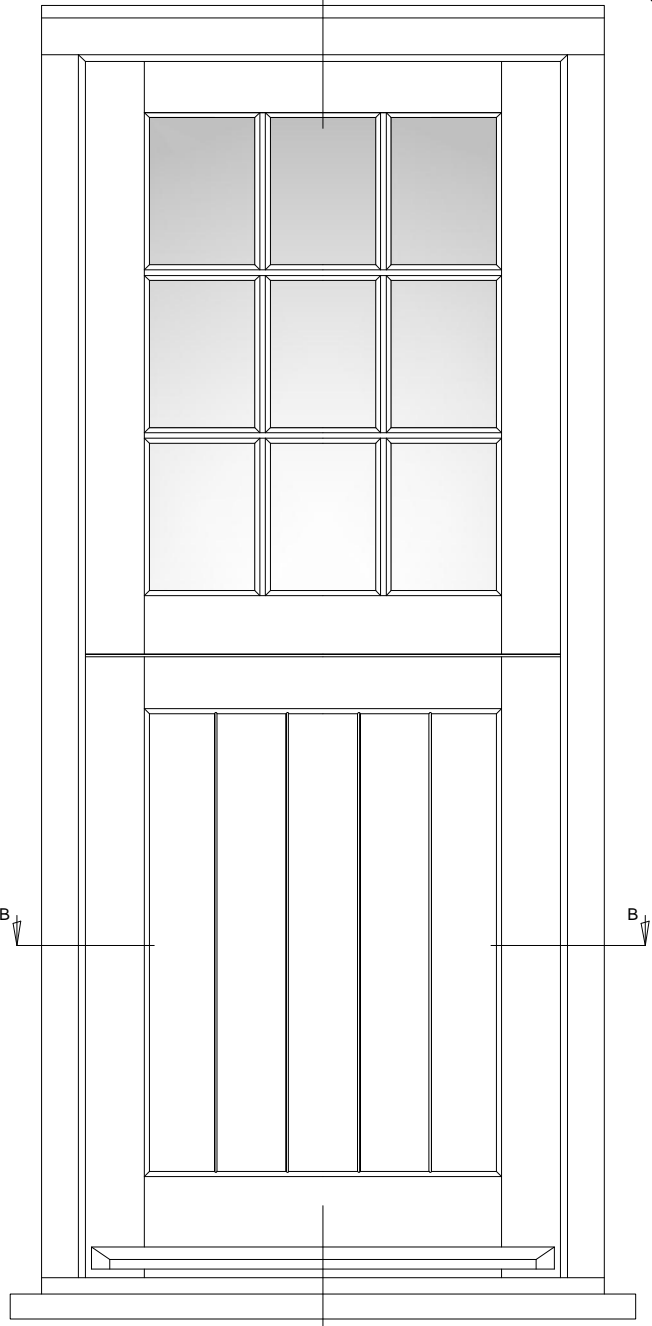
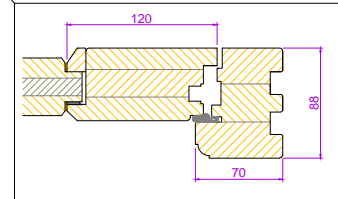
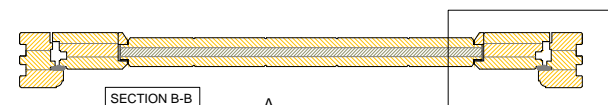


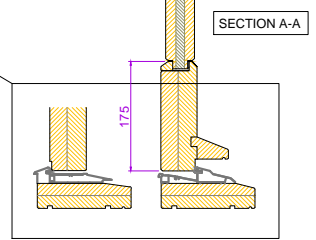
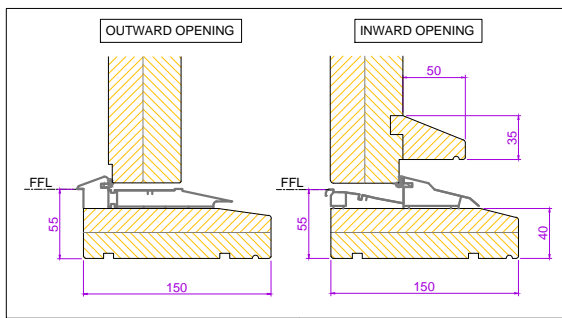
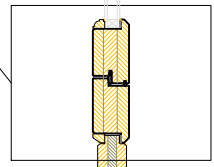
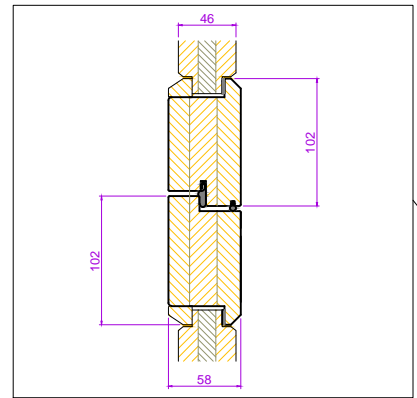
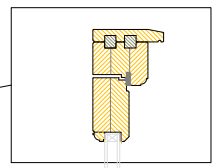
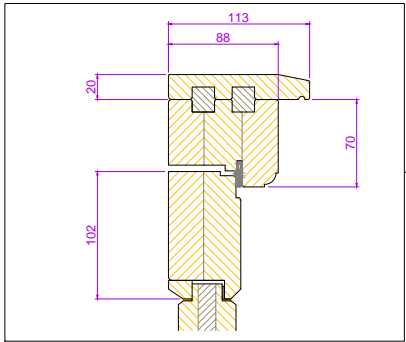
RevNo	Revision note	Date
01	Drawing issued	.



SECTION B-B

SECTION A-A

STABLE DOOR (AS VIEWED FROM OUTSIDE)



Project	
Title <b>ENTRANCE DOORS 022 STABLE DOORS</b>	
Client	
Date	Scale DO NOT SCALE
	
<b>Fyntons</b> , Period Homes Supplies Centre Station Road, Nr Pampisford Cambridgeshire CB22 3HB Telephone 01223 837106 <a href="http://fyntons.co.uk">fyntons.co.uk</a>	
Drawing No.	<b>ED-S003</b>